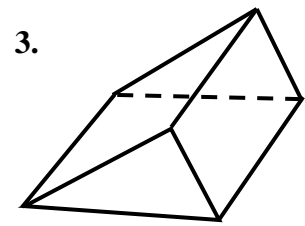
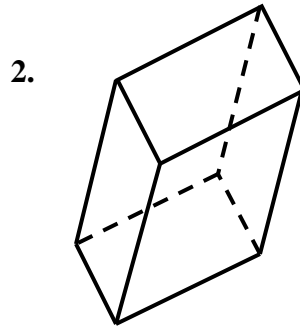
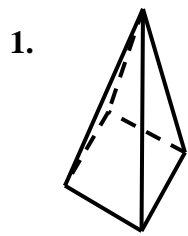


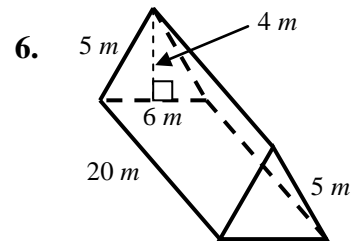
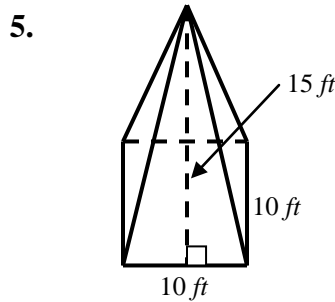
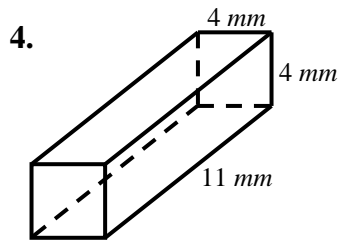
# Lesson 6.4 ~ Nets and Surface Area

Name \_\_\_\_\_ Period \_\_\_\_\_ Date \_\_\_\_\_

Sketch a net of each solid.



Find the surface area of each figure.



7. Kyle wants to determine the surface area for a cube that is 5 cm on each side.

a. Draw a net for Kyle's cube.

b. Find the surface area of the cube.

c. How could you solve this problem without using a net?